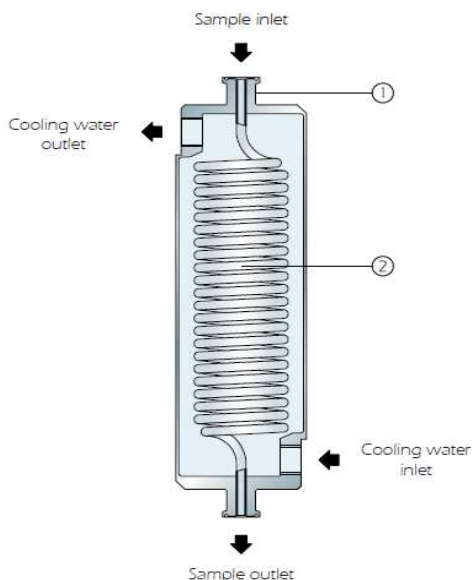


## SAMPLE COOLER - ENFRIADOR DE MUESTRAS

## HSC60

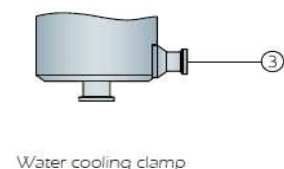
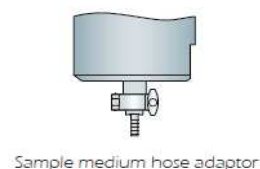


The HSC60 is intended for permanent mounting. Utilising the same basic coil design as the HSC30 and HSC50 units, the HSC60 is ideal for obtaining samples at both the point of generation and throughout a distribution system. The HSC60 can be sterilised in-situ, thus ensuring continuity of samples regardless of testing frequency.

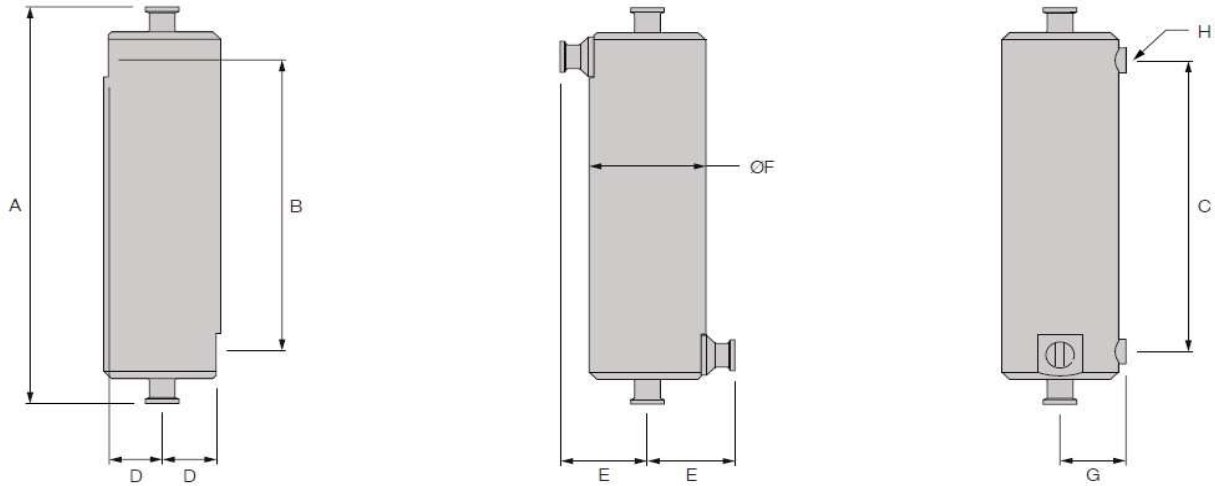


- P Pressure Rating**  
Coil and shell - up to 10 barg
- T Temperature Rating**  
Coil - 175°C  
Shell - 100°C
- Connections**  
Sample medium -  
1/2" ASME BPE clamp  
Cooling water -  
1/2" BSP or 1/2" NPT  
25mm clamp to suit 1/2", 3/4" ASME BPE, DIN  
and ISO
- Performance**  
Heat transfer area - 0.08m<sup>2</sup>  
Coil volume - 160ml  
Typical performance - 10kg/h condensate at 30°C  
from steam at 3 barg with 0.1 l/s cooling water at  
20°C rising to 40°C
- Surface Finish**  
Wetted surfaces - 0.5 microns Ra\*  
External surfaces - Satin polish finish  
(\*Coil formed from tube with an internal electropolished finish of 0.25 microns Ra)
- Options**  
Electropolished finish - all wetted surfaces  
Steam throttling valve (HSV60)  
Sample outlet hose adaptor  
Steam and cooling water hoses  
Wall mounting kit  
34mm and 50.5mm clamp sample connections to  
suit DIN and ISO connections
- Available Certification**
  - CofC** Certificate of Conformity
  - MTR's** Material Certification
  - ADI** Certified 'Animal Derived Ingredient' free

Part	Description
1	Body and sample connections 316L stainless steel
2	Coil 316L stainless steel
3	Cooling water fittings 316L stainless steel



HSC60



**Dimensions (mm)**

A	B	C	Dimensions (mm)				G	H	Weight (kg)
320	240	235	D	E	ØF	49	M8	3	



**Accessories**

**HSV60 sample valve** - a steam rated valve suitable for both isolation and throttling of the steam sample

**Clamp cooling water adaptor kit** - 1/2", 3/4" or 1" ASME BPE clamp cooling water adaptor

**Sample hose adaptor kit** - 316L stainless steel hose adaptor with 8.5mm barb which connects directly to the sample medium outlet using a standard clamp and seal

**PTFE lined sample hose** - PTFE lined hose with stainless steel outer braid and silicone protective cover. Available with 1/2" ASME BPE clamp end fittings to any length required

**Cooling water hose** - reinforced PVC hose with 3/4" ASME BPE clamp end fittings to any length required

**Wall mounting kit** - two mounting bosses to allow mounting on a solid wall



**Packaging**

Individually capped and boxed



**Service Parts**

The HSC60 has no maintainable parts