

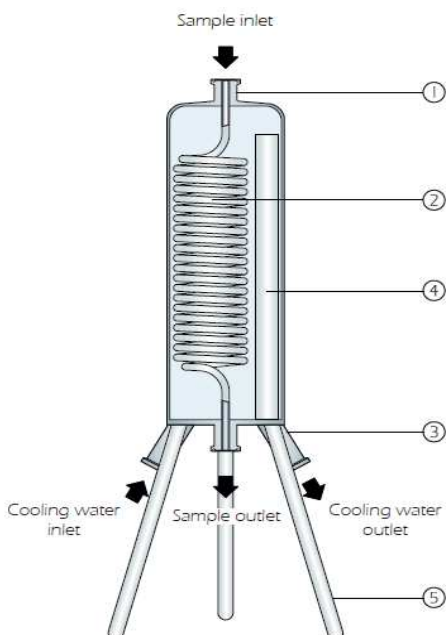
SAMPLE COOLER - ENFRIADOR DE MUESTRAS

HSC30

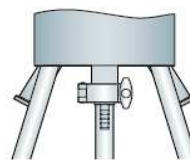


The HSC30 is a portable unit designed to allow samples to be taken quickly and safely at any point within a steam system. Cooling water connections are 3/4" ASME BPE clamp compatible which enables the unit to be connected easily to a local water supply. The HSC30 is suitable for autoclaving.

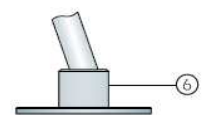
- P Pressure Rating**
Coil and shell - up to 10 barg
- T Temperature Rating**
Coil - 175°C
Shell - 100°C
- Connections**
Sample medium -
25mm clamp to suit 1/2" ASME BPE, DIN and ISO
Cooling water -
25mm clamp to suit 3/4" ASME BPE, DIN and ISO
- Performance**
Heat transfer area - 0.08m²
Coil volume - 160ml
Typical performance - 10kg/h condensate at 30°C from steam at 3 barg with 0.1 l/s cooling water at 20°C rising to 40°C
- Surface Finish**
Wetted surfaces - 0.5 microns Ra*
External surfaces - Satin polish finish
(*Coil formed from tube with an internal electropolished finish of 0.25 microns Ra)
- Options**
Electropolished finish - all wetted surfaces
Steam throttling valve (HSV60)
Sample outlet hose adaptor
Steam and cooling water hoses
Extended legs with floor pads
Storage case
- Available Certification**
 - CofC** Certificate of Conformity
 - MTR's** Material Certification
 - ADI** Certified 'Animal Derived Ingredient' free



| Part | Description |
|------|--|
| 1 | Body and sample connections 316L stainless steel |
| 2 | Coil 316L stainless steel |
| 3 | Cooling water fittings 316L stainless steel |
| 4 | Cooling water outlet tube 316L stainless steel |
| 5 | Legs 316L stainless steel |
| 6 | Floor pad 316L stainless steel |

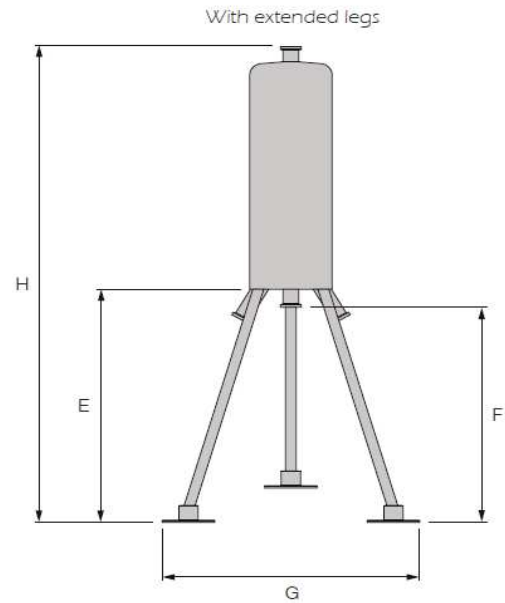
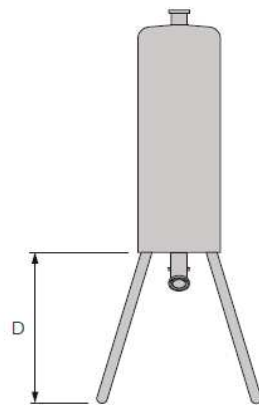
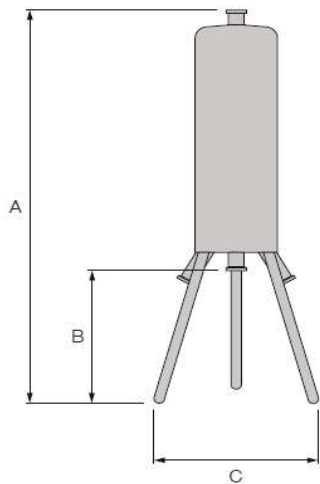


Sample medium hose adaptor



Mezzanine floor pads

HSC30



| Dimensions (mm) | | | | | | | | Weight (kg) |
|-----------------|-----|-----|-----|-----|-----|-----|-----|-------------|
| A | B | C | D | E | F | G | H | |
| 500 | 175 | 160 | 200 | 305 | 280 | 312 | 610 | 4.5 |



Accessories

HSV60 sample valve - a steam rated valve suitable for both isolation and throttling of the steam sample

Sample hose adaptor kit - 316L stainless steel hose adaptor with 8.5mm barb which connects directly to the sample medium outlet using a standard clamp and seal

PTFE lined sample hose - PTFE lined hose with stainless steel outer braid and silicone protective cover. Available with 1/2" ASME BPE clamp end fittings to any length required

Cooling water hose - reinforced PVC hose with 3/4" ASME BPE clamp end fittings to any length required

Storage/carry case - ABS case with profiled high density foam insert to house HSC30, HSV60 sample valve and hose adaptor kit