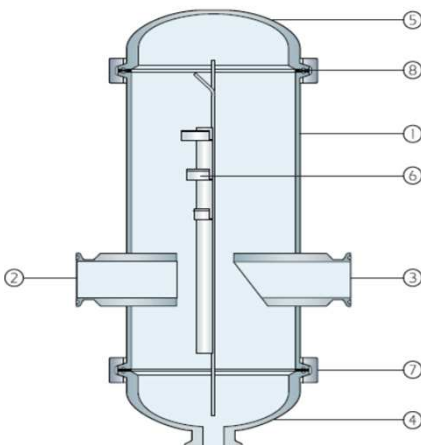


CLEAN STEAM SEPARATOR



The CSS20RB separator uses a series of internal baffles to remove entrained moisture from the steam flow, offering a simple and efficient means to conditioning steam over a wide range of pressure and flow conditions. Manufactured in 316L stainless steel, the CSS20RB is designed to allow the internal baffle plate to be removed. Available in sizes 1/2"-3", the CSS20RB can be supplied with a range of surface finish options. A vent connection option is available for all sizes.



CSS20RB



Pressure Rating

Up to 10 barg



Temperature Rating

Up to 175°C



Connections

1/2" - 3"



Surface Finish

Wetted surfaces - 0.5 microns Ra
External surfaces - Satin finish



Technical Specification

The CSS20RB range is designed and manufactured in compliance with the European Pressure Equipment Directive and where relevant, ASME BPE guidelines



Options

Vent connections
Enhanced surface finish and electropolishing



Available Certification

CofC

Certificate of Conformity

MTR's

Material Certification

FDA

FDA Elastomer compliance certificates

USP

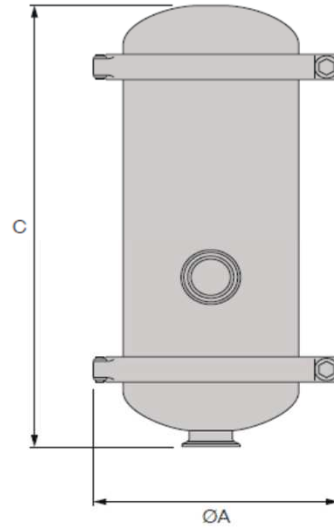
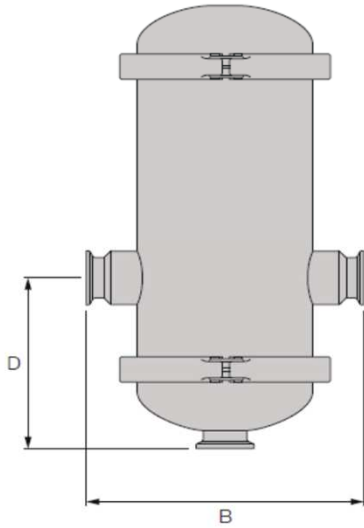
USP Elastomer compliance certificates


ADI

Certified 'Animal Derived Ingredient' free

Part	Description
1	Body
2	Inlet fitting
3	Outlet fitting
4	Bottom end cap
5	Top end cap
6	Baffle plate
7	Clamp
8	Seat

CSS20RB



	Line size	Drain size	Dimensions (mm)				Weight (kg)
	ASME BPE	ASME BPE	ØA	B	C	D	
	1/2"	1/2"	102	147	296	126	5
	3/4"	3/4"	102	147	296	126	5
	1"	3/4"	102	147	296	126	6
	1-1/2"	1"	152	240	420	160	8.5
	2"	1"	152	240	525	200	10
	2-1/2"	1"	152	240	565	220	12
	3"	1"	152	240	650	250	14