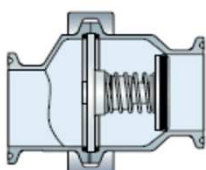
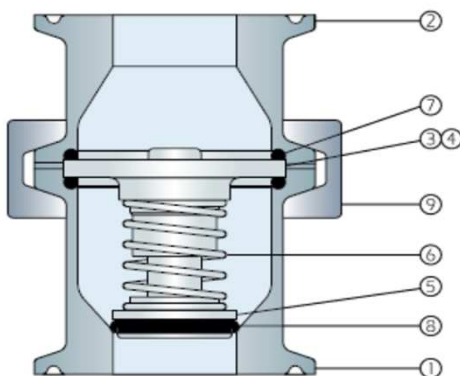


CHECK VALVE

HCV02



The HCV02 range is intended for use in high purity applications such as WFI systems. Valves are manufactured in 316L stainless steel with a range of seal options. Wetted surfaces are finished to 0.5 microns Ra. The standard opening pressure for the HCV02 range is 35 mbar. Where a valve is to be installed in a horizontal line and drainability maintained, then the HCV02 eccentric version is available.



Valve with eccentric connections

- P Pressure Rating**
Up to 10 barg
- T Temperature Rating**
Up to - 135°C with FDA grade EPDM seals
150°C with USP grade EPDM seals
200°C with Viton, Silicone or FEP-Silicone seals
- Connections**
1/2" - 4" ASME BPE clamp or weld end
DN8 - DN50 DIN and ISO clamp and weld end
Concentric and eccentric connections available
- Seal Material**
EPDM, Viton, Silicone or FEP-silicone
- Opening Pressure**
8 or 35 mbar
- Surface Finish**
Wetted surfaces - 0.5 microns Ra
External surfaces - 0.8 microns Ra
- Options**
DIN and ISO clamp and weld end connections
Perlast seals
Enhanced surface finishes and electropolishing
Low sulphur stainless steel, C22 and other alloys
- C Available Certification**
 - CofC** Certificate of Conformity
 - MTR's** Material Certification
 - FDA** FDA Elastomer compliance certificates
 - USP** USP Elastomer compliance certificates
 - ADI** Certified 'Animal Derived Ingredient' free

Part	Description
1	Inlet body 316L stainless steel
2	Outlet body 316L stainless steel
3	Guide plate 316 stainless steel
4	Stem guide TFM PTFE
5	Stem 316L stainless steel
6	Spring 316 stainless steel
7	Body seals EPDM, Viton, Silicone or FEP-Silicone
8	Seat seal EPDM, Viton, Silicone or FEP-Silicone
9	Clamp 304 stainless steel

