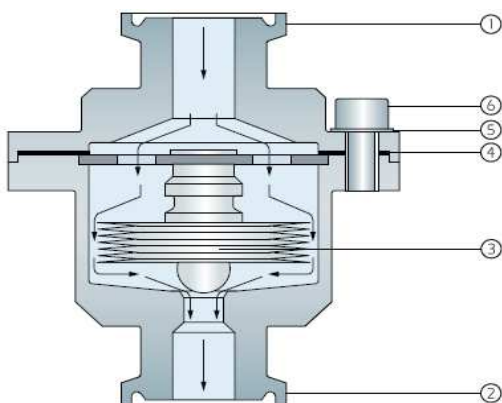


## STEAM TRAPS - PURGADORES TERMOSTÁTICOS

## HST30



The HST30 range of steam traps is designed to remove condensate from high purity steam systems. A thermostatic element is used to detect the difference between the temperature of the cooling condensate and the system operating temperature. When this temperature differential exceeds 3-5°C the element contracts to allow the cooling condensate to exhaust. Being a temperature sensitive device, the HST30 also ensures that air is purged from a steam system together with waste condensate. Typical applications for the HST30 are steam main drainage, Steam-in-Place (SIP) applications and when inverted, as a steam system air vent. Where a clamped body joint is preferred over bolted configuration the HST30TC model is available.

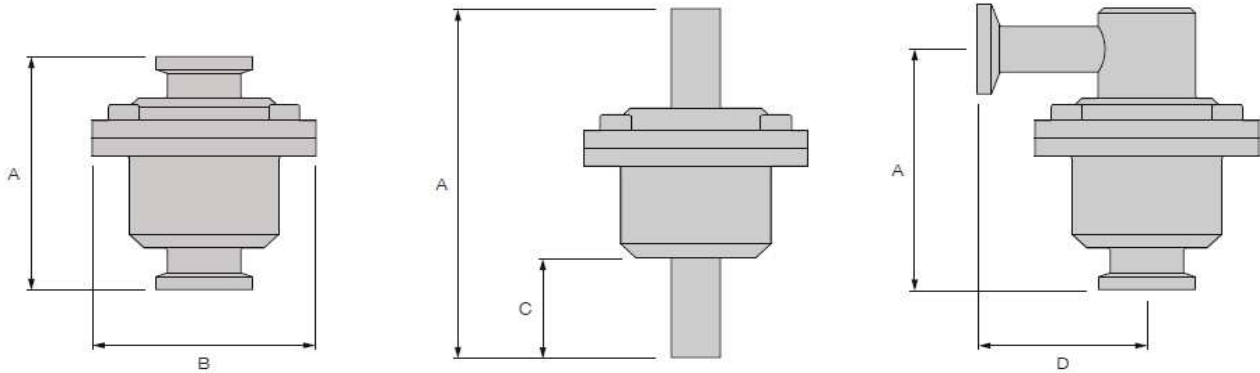






- P Pressure Rating**  
Maximum operating pressure (PMO) - 6 barg  
Maximum allowable pressure (PMA) - 8 barg
- T Temperature Rating**  
Maximum allowable temperature (TMA) - 170°C
- L Connections**  
1/4" - 1-1/2" ASME BPE clamp or weld end  
DN8, 10, 15, 20, 25 ISO and DIN clamp or weld end
- Flow Capacity**  

Pressure (bar)	1.0	2.0	3.0	4.0	5.0	6.0
Flow (kg/h)	200	350	400	650	800	950
Cold flow (kg/h)	700	900	1000	1200	1500	1600
- Surface Finish**  
Wetted surfaces - 0.5 microns Ra  
External surfaces - 0.8 microns Ra
- Options**  
Horizontal inlet  
Clamped body joint - HST30TC  
Electropolished finish  
Stainless steel grade WN1.4435
- Available Certification**
  - CofC** Certificate of Conformity
  - MTR's** Material Certification
  - FDA** FDA Elastomer compliance certificates
  - ADI** Certified 'Animal Derived Ingredient' free

Part	Description
1	Inlet connection 316L stainless steel
2	Outlet connection 316L stainless steel
3	Element assembly 316/316L stainless steel
4	Seal PTFE composite
5	Label 304 stainless steel
6	Body clamp Stainless steel

HST30



ASME BPE ISO DIN	1/2"	3/4"	1"	1-1/2"	Dimensions (mm)				Weight (kg)
	DN8 and DN10 DN8 and DN10*	DN15* DN15*	DN20 DN20* and DN25	DN25 DN32	A	B	C	D	
	✓	✓	✓	✓	60	60	-	-	0.5
	✓	✓	✓		98	60	28	-	0.5
	✓	✓			70	60	-	43	0.5
	✓	✓			77	60	-	50	0.6

\*ISO DN15, DIN DN8 - DN20 available with 25mm or 34mm clamp connections. ISO DN15 available with 50.5mm clamp connections



**Packaging**

Individually capped, bagged and boxed



**Service Parts**

Element assembly and body seal - parts 3 and 4



**Specification**

See product selector sheet for specification and ordering detail