

STEAM TRAPS - PURGADORES TERMOSTÁTICOS

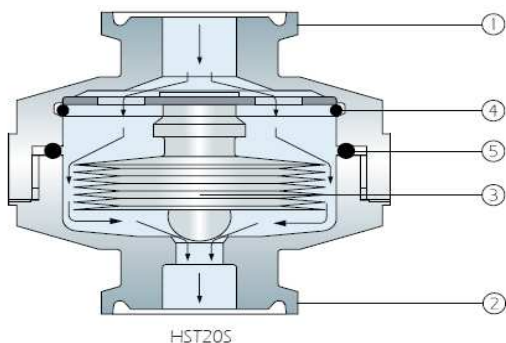
HST20



The HST20 range of steam traps is designed to remove condensate from steam systems where a lower level of surface finish can be accepted. A thermostatic element is used to detect the difference between the temperature of the cooling condensate and the system operating temperature. When this temperature differential exceeds 3-5°C the element contracts to allow the cooling condensate to exhaust. Being a temperature sensitive device, the HST20 also ensures that air is purged from a steam system together with waste condensate. Typical applications for the HST20 are steam main drainage, Steam-in-Place(SIP) applications and when inverted, as a steam system air vent. The HST20 is available with either clamped(HST20) or screwed(HST20S) body joint.

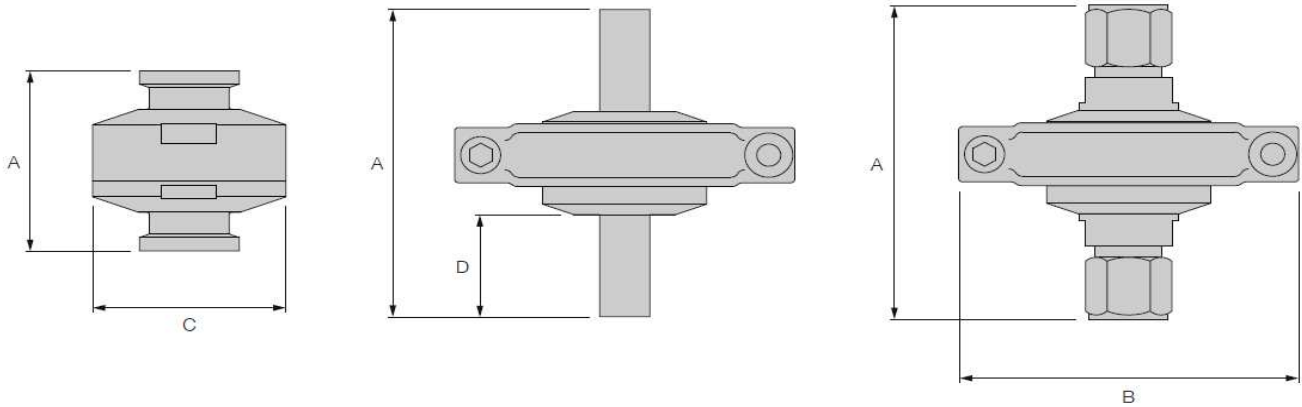
- P Pressure Rating**
Maximum operating pressure (PMO) - 6 barg
Maximum allowable pressure (PMA) - 8 barg
- T Temperature Rating**
Maximum allowable temperature (TMA) - 170°C
- Connections**
1/2" - 1" ASME BPE clamp or weld end
1/2" and 3/4" ASME BPE tube compression fittings
DN8, 10, 15, 20, 25 ISO and DIN clamp or weld end
- Flow Capacity**







Pressure (bar)	1.0	2.0	3.0	4.0	5.0	6.0
Flow (kg/h)	200	350	400	650	800	950
Cold flow (kg/h)	700	900	1000	1200	1500	1600
- Surface Finish**
Wetted surfaces - 1.0 micron Ra
Wetted surfaces - 1.0 micron Ra
- Options**
Bolted body joint - HST20
Screwed body joint - HST20S
Screwed connections
- Available Certification**
 - CofC** Certificate of Conformity
 - MTR's** Material Certification
 - FDA** FDA Elastomer compliance certificates
 - USP** USP Elastomer compliance certificates
 - ADI** Certified 'Animal Derived Ingredient' free



Part	Description	
1	Inlet connection	316L stainless steel
2	Outlet connection	316L stainless steel
3	Element assembly	316/316L stainless steel
4	Element retainer	Stainless steel
5	Seal HST20	PTFE-Viton envelope
	Seal HST20S	FEP-Viton
6	Body clamp	304 stainless steel

HST20



ASME BPE ISO DIN	1/2" DN8 and DN10 DN8 and DN10*	3/4" DN15 DN15*	1" DN20 DN20* and DN25	Dimensions (mm)				Weight (kg)
				A	B	C	D	
	✓	✓	✓	49	-	48.5	-	0.3
	✓	✓	✓	82	-	48.5	28	0.4
	✓	✓		82	-	48.5	-	0.4
	✓	✓	✓	49	85	-	-	0.3
	✓	✓	✓	82	85	-	28	0.4
	✓	✓		82	85	-	-	0.4

*ISO DN15, DIN DN8 - DN20 available with 25mm or 34mm clamp connections. ISO DN15 available with 50.5mm clamp connections



Packaging

Individually capped, bagged and boxed



Service Parts

Element assembly and body seal - parts 3, 4 and 5



Specification

See product selector sheet for specification and ordering detail