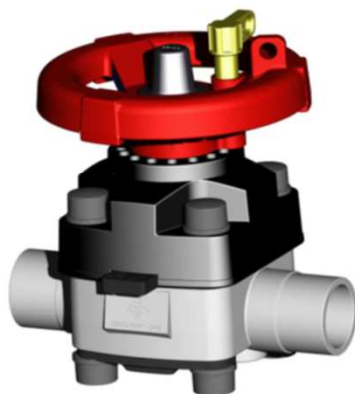
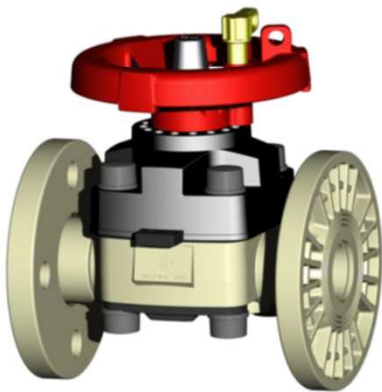
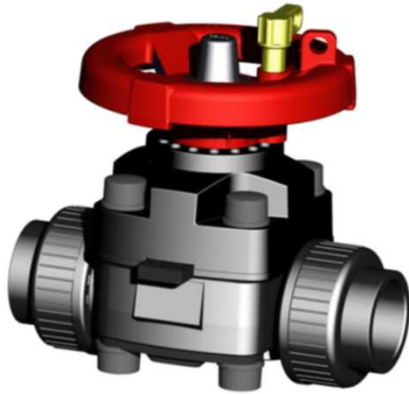


Diaphragm valve T4 [hand operated]



General:

- Body material: PVC-U, PP, PVDF
- Seals: EPDM, FPM
- Diaphragm: EPDM, EPDM/PTFE
- Dimensions: DN15 – DN125
d20 – d140
1/2" – 4"

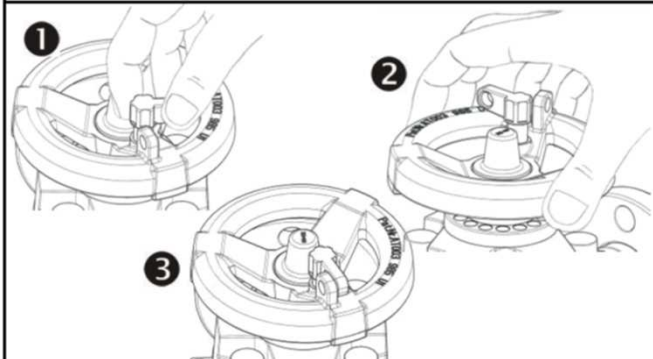
Connections:

- Solvent socket PVC: DIN / ISO / ASTM / JIS
- Solvent spigot PVC: DIN
- Threaded socket PVC: BSP
- Fusion spigot PP / PVDF: DIN
- Fusion socket PP / PVDF / PE: DIN
- Backing flange PVC / PP-GFK: DIN / ANSI
- Fix flange PVC / PP: DIN / ANSI / JIS / BS
- Fixflange PP / PVDF: DIN / ANSI / JIS / BS

Operating pressure: PN10

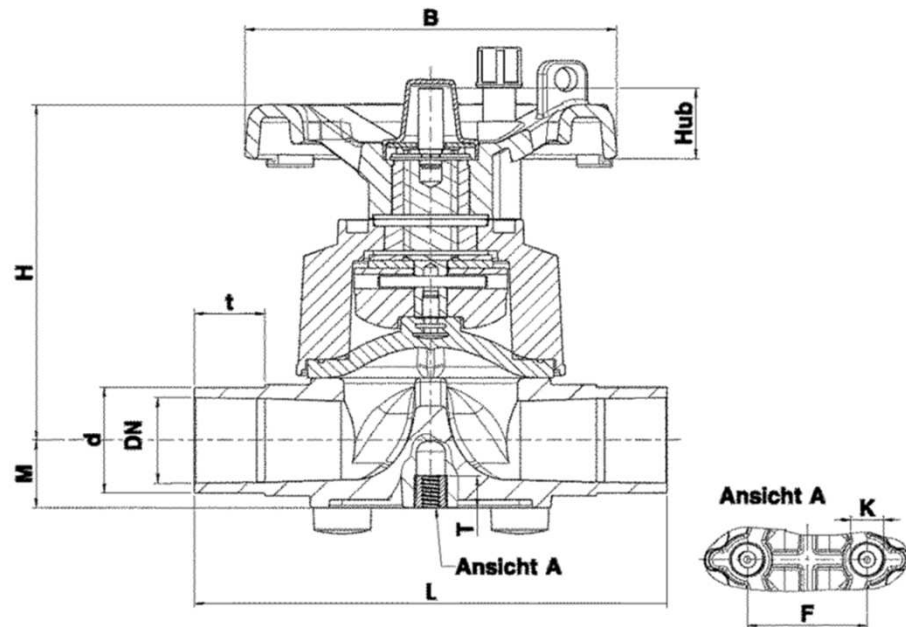
Technical features:

- safety gear wheel
- corrosion resistant
- maintenance free operation over a longworking life
- suitable for aggressive and dirty media
- radial installation or removal
- easy replacement of the diaphragm



This document does not constitute a guarantee, it is for initial information purposes only. The product range is continually upgraded, the designs and types therefore only reflect the state of the art at the time of printing.

Dimensions:



PVC-U / PP / PVDF

Connector type
PVC solvent spigot
PP / PVDF fusion spigot

Dimensions DN80-DN125 see page 5

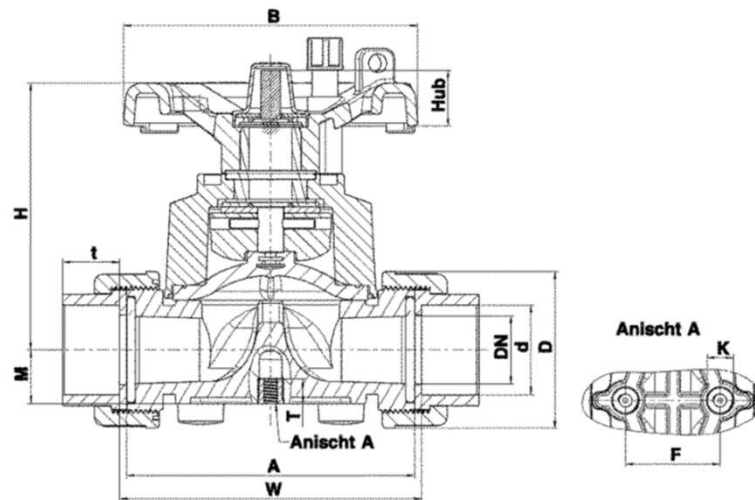
DN	15	20	25	32	40	50	65
d	20	25	32	40	50	63	75
inch	1/2"	3/4"	1"	1 1/4"	1 1/2"	2"	2 1/2"
M _{PVC}	17	17	21	33	33	40,5	25
M _{PP / PVDF}	16,5	19	22	26	31	38	25
H	100	100	107	144	144	170	260
B	86	86	86	136	136	136	234
F	25	25	25	45	45	45	-
Hub	9	9	11	22	22	28	35
K	M6	M6	M6	M8	M8	M8	-
L	124	144	154	174	194	224	284
T	12	12	12	15	15	15	-
t _{KS} ¹	16	19	22	26	31	38	44
t _{SS} ²	28,5	36	36	38,5	46	46	37
PN	10	10	10	10	10	10	10

Dimensions in mm

¹ KS = solvent spigot

² SS = fusion spigot

- = no thread inserts starting with DN65



PVC-U / PP / PVDF

Connector type

PVC solvent socket / threaded socket

PE / PP / PVDF fusion socket

Dimensions DN80-DN125 see page 5

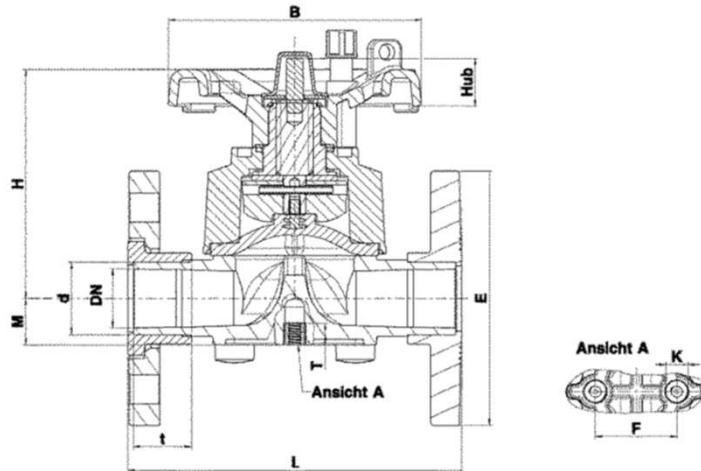
	DN	15	20	25	32	40	50
	d	20	25	32	40	50	63
	inch	1/2"	3/4"	1"	1 1/4"	1 1/2"	2"
	H	100	100	107	144	144	170
	B	86	86	86	136	136	136
	F	25	25	25	45	45	45
	K	M6	M6	M6	M8	M8	M8
	Hub	9	9	11	22	22	28
PVC	t _{GM} ¹	16	19	22	26	31	38
	t _{KM} ²	16	19	22	26	31	38
	t _{SM} ³ PE	16	17,5	19,5	22	25	29
	G _{GM} ¹	1/2"	3/4"	1"	1 1/4"	1 1/2"	2"
	A	90	108	116	174	154	184
	D	43	53	60	74	83	103
	M	17	17	21	33	33	40,5
	W _{GM} ¹ KM ²	96	114	122	142	160	190
W _{SM} ³ (PE)	95	116	126	148	173	209	
PP / PVDF	t _{SM} ² (PP/PVDF)	16	18	20	22	24,5	29
	A	90	108	116	174	154	184
	D	47	57	64	78	89	109
	M	16,5	16,5	20	25,5	32	38,5
	W _{SM} ³	96	114	122	205	161	190
	PN	10	10	10	10	10	10

Dimensions in mm

¹ GM = threaded socket

³ SM = fusion socket

² KM = solvent socket



PVC-U / PP / PVDF

Connector type

PVC backing flange / fix flange

PP backing flange with steel inlay / fix flange / Fixflange

PVDF backing flange

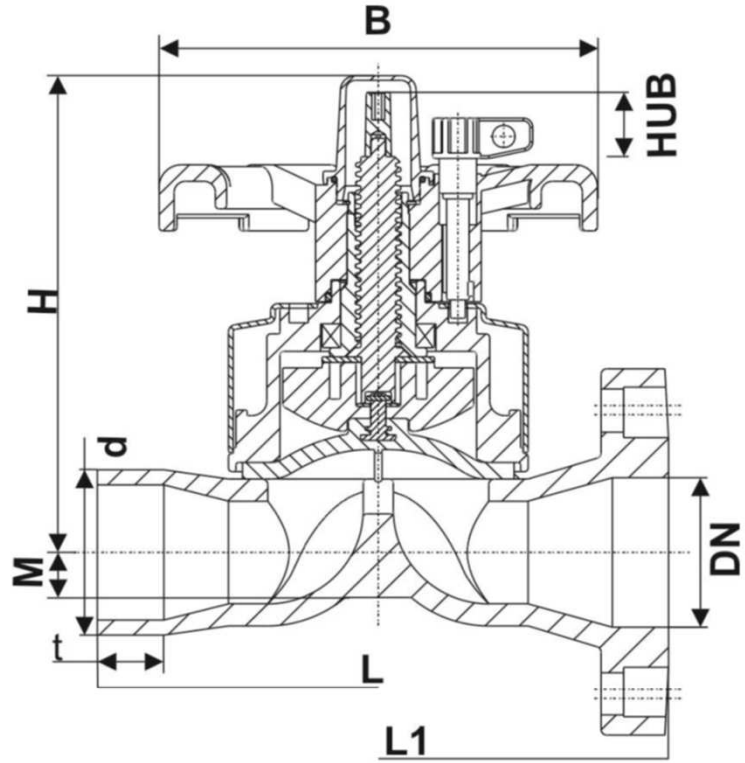
Dimensions DN80-DN125 see page 5

	DN	15	20	25	32	40	50	65
	d	20	25	32	40	50	63	75
	inch	1/2"	3/4"	1"	1 1/4"	1 1/2"	2"	2 1/2"
	H	100	100	107	144	144	170	260
	B	86	86	86	136	136	136	234
	F	25	25	25	45	45	45	-
	K	M6	M6	M6	M8	M8	M8	-
	Hub	9	9	11	22	22	28	35
PVC	E _{LF} ¹	95	105	115	140	150	165	-
	E _{FF} ²	97	105	125	140	150	165	-
	M	17	17	21	33	33	40,5	25
	L _{LF} ¹	130	150	160	180	200	230	290
	L _{FF} ²	130	150	160	180	200	230	290
PP / PVDF	E _{LF} ¹ DIN	95	108	115	140	151	165	-
	E _{LF} ¹ ANSI	95	102	114	130	133	162	-
	E* _{FF} ²	95	105	115	-	-	-	-
	E* _{FIF} ³	95	105	115	140	150	165	-
	M	16,5	16,5	20	25,5	32	38,5	25
	L _{LF} ¹	130	150	160	180	200	230	284
	L _{FF} ²	130	150	160	-	-	-	284
L _{FIF} ³	130	150	160	180	200	230	284	
PN		10	10	10	10	10	10	10

Dimensions in mm

¹ LF = backing flange

² FF = fix flange



PVC-U / PP / PVDF

Connector type

PVC / PP / PVDF Fixflange

PP / PVDF fusion spigot

DN	80	100	125
d	90	110	140
inch	3"	4"	5"
M	25	25	25
H	260	330	330
B	234	234	234
Hub	35	45	45
L1 ^{FL} ¹	310	350	400
L* ^{ss} ²	300	340	340
t ^{ss} ²	37	50	50
PN	10	10	10

Dimensions in mm

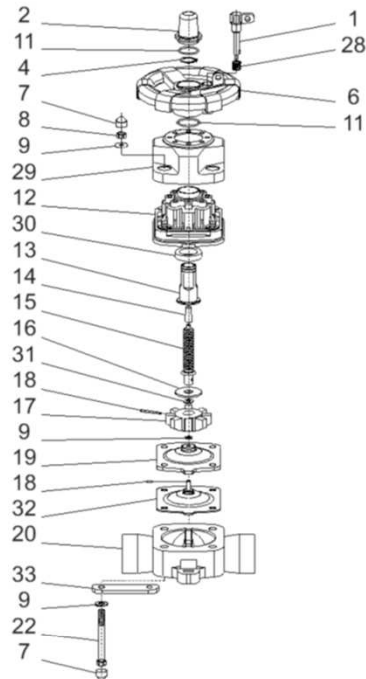
* = only PP and PVDF

¹ FL = Fixflange

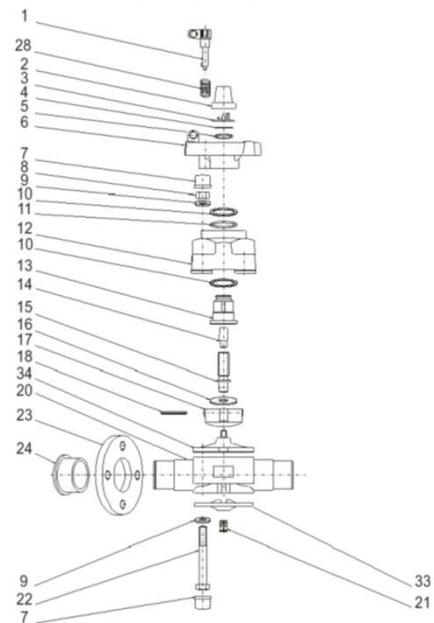
Exploded drawing:

- 01. Positioning bolt
- 02. Sight glass
- 03. Indication disk
- 04. Circlip
- 05. Shim
- 06. Gear wheel
- 07. Cover
- 08. Hex nut
- 09. Shim
- 10. Disk
- 11. O-Ring
- 12. Bonnet
- 13. Screen socket
- 14. Positioning indicator
- 15. Dowel pin
- 16. Distance disk
- 17. Compressor
- 18. Dowel pin
- 19. Diaphragm
- 20. Bottom
- 21. Insert nut
- 22. Screw (from DN100 with 8 screws)
- 23. Flange
- 24. Flange adaptor
- 28. Spring
- 29. Covering for Bonnet
- 30. Axial deep groove ball bearing
- 31. Shim
- 32. Diaphragm
- 33. Plate (only PP)
- 34. Diaphragm

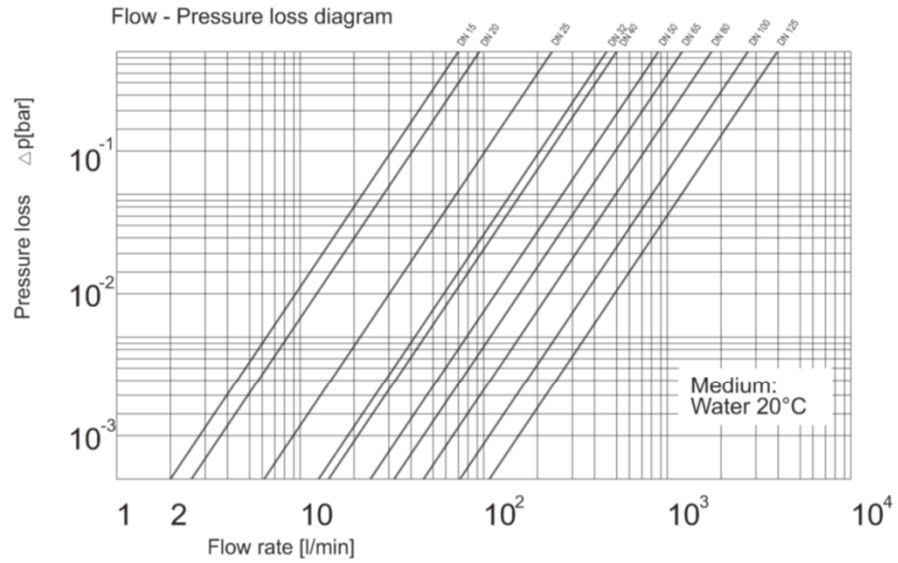
DN15-DN50



DN65-DN125



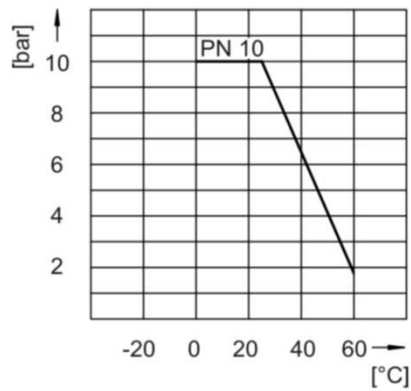
Diagrams:



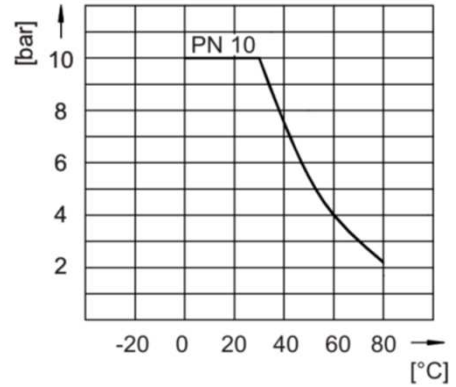
Cv value table

Pressure loss	DN15	DN20	DN25	DN32	DN40	DN50	DN65	DN80	DN100	DN125
1 bar	70 l/min	95 l/min	250 l/min	450 l/min	500 l/min	880 l/min	1.100 l/min	1.700 l/min	2.700 l/min	4.000 l/min

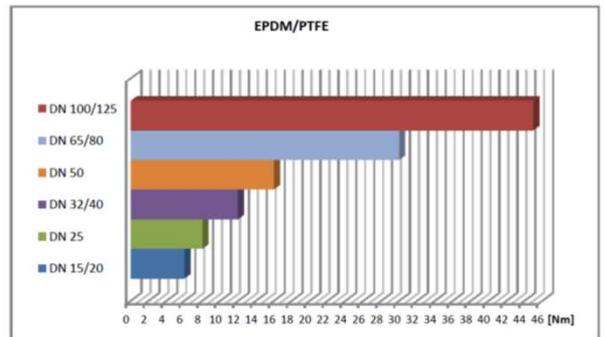
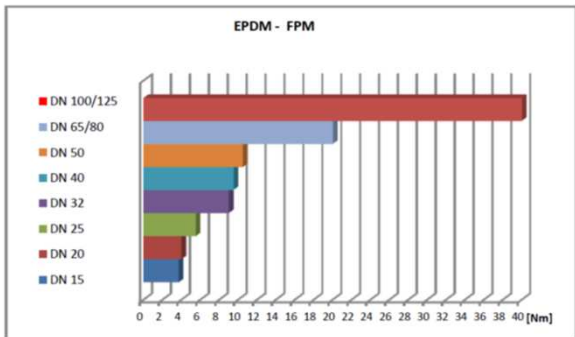
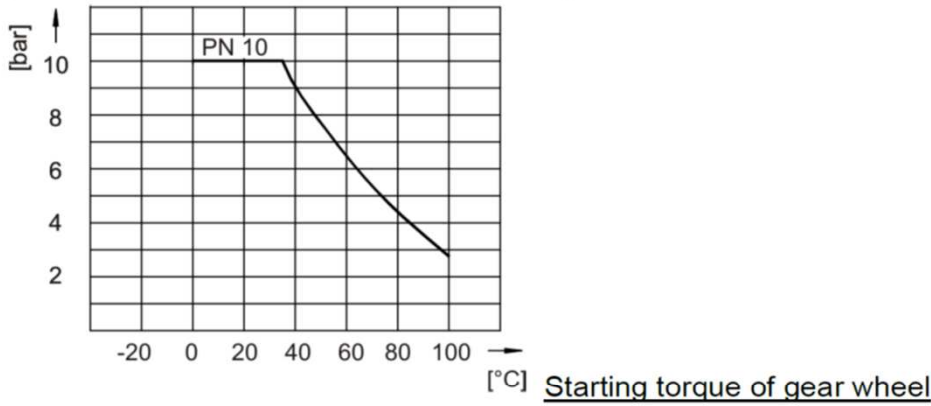
Pressure - Temperature diagram - PVC-U



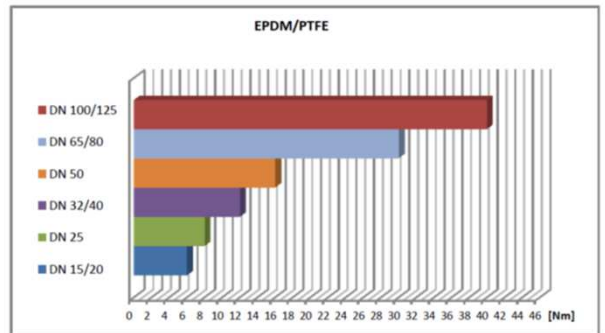
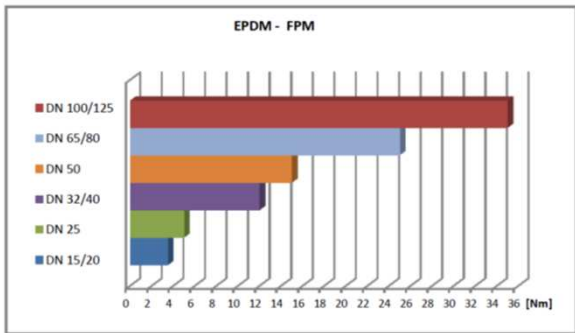
Pressure - Temperature diagram - PP



Pressure – Temperature diagram – PVDF



Tightening torque of screws



open
75%, 50%, 25%

