

PVC-U / PP

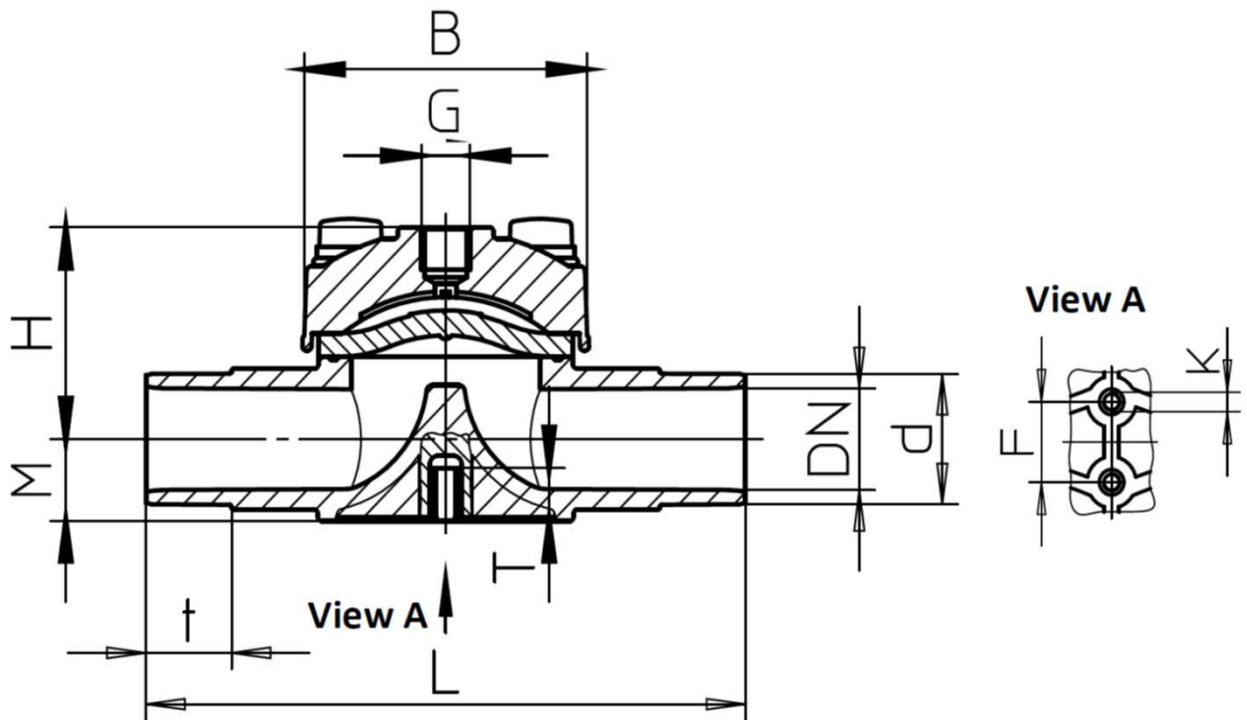
Connector type

PVC-U union / solvent socket

PP union / fusion socket

DN	15	20	25	32	40	50
d	20	25	32	40	50	63
inch	½"	¾"	1"	1 ¼"	1 ½"	2"
A	90,0	108,0	116,0	136,0	154,0	184,0
B	64,0	64,0	74,0	101,0	101,0	117,0
D	43,0	53,0	60,0	74,0	83,0	103,0
F	25,0	25,0	25,0	45,0	45,0	45,0
G	¼"	¼"	¼"	¼"	¼"	¼"
H	47,0	47,0	53,0	70,0	70,0	78,0
K	M6	M6	M6	M8	M8	M8
M	17,0	17,0	21,0	33,0	33,0	40,5
t (PVC)	16,0	19,0	22,0	26,0	31,0	38,0
t (PP)	16,0	17,0	19,5	22,0	25,0	29,0
T	12,0	12,0	12,0	15,0	15,0	15,0
Z	96,0	114,0	122,0	142,0	160,0	190,0

Dimensions in mm



PVC-U / PP

Connector type

PVC-U solvent spigot

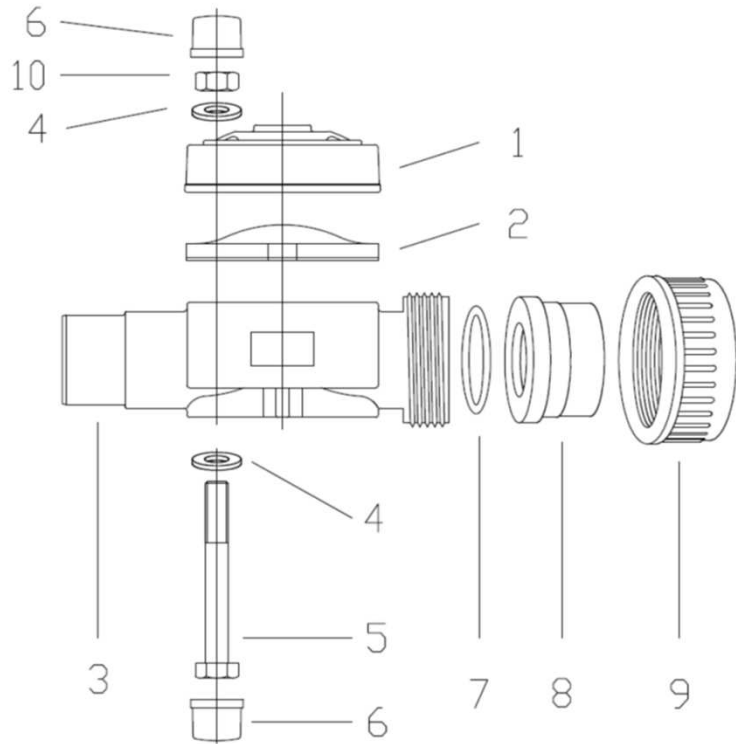
PP fusion spigot

DN	15	20	25	32	40	50
d	20	25	32	40	50	63
inch	½"	¾"	1"	1 ¼"	1 ½"	2"
B	64,0	64,0	74,0	101,0	101,0	117,0
F	25,0	25,0	25,0	45,0	45,0	45,0
G	¼"	¼"	¼"	¼"	¼"	¼"
H	47,0	47,0	53,0	70,0	70,0	78,0
K	M6	M6	M6	M8	M8	M8
L	124,0	144,0	154,0	174,0	194,0	224,0
M	17,0	17,0	21,0	33,0	33,0	40,5
t (PVC)	16,0	19,0	22,0	26,0	31,0	38,0
t (PP)	16,0	17,0	19,5	22,0	25,0	29,0
T	12,0	12,0	12,0	15,0	15,0	15,0

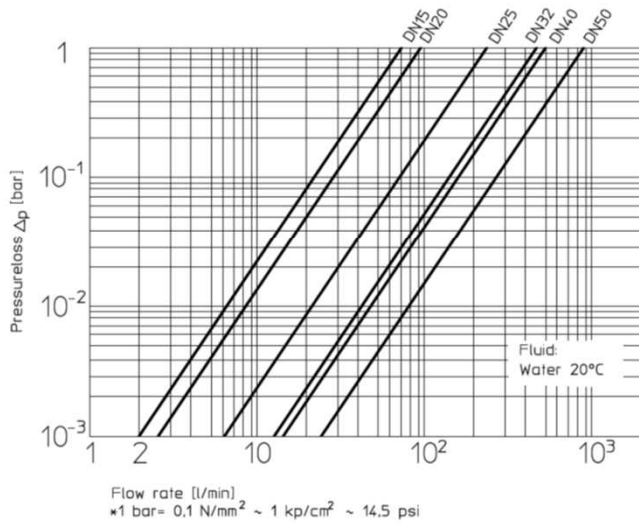
Dimensions in mm

Exploded drawing

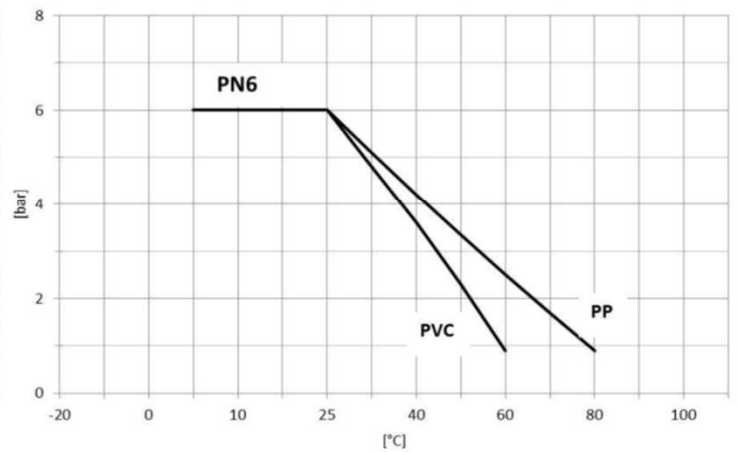
- 01. Pneumatic top
- 02. Diaphragm
- 03. Spigot
- 04. Shim
- 05. Screw
- 06. Cover
- 07. O-Ring
- 08. Socket
- 09. Union nut
- 10. Hex nut



Flow - Pressure loss diagram



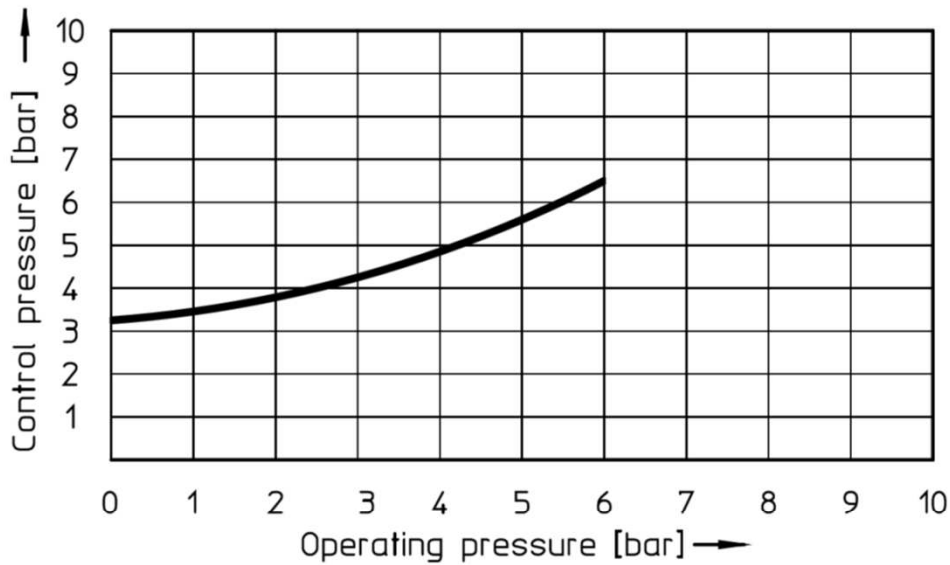
Pressure - Temperature diagram PVC-U and PP



Cv value table

Pressure loss	DN15	DN20	DN25	DN32	DN40	DN50	DN65	DN80	DN100	DN125
1 bar	70 l/min	95 l/min	250 l/min	450 l/min	500 l/min	880 l/min	1.100 l/min	1.700 l/min	2.700 l/min	4.000 l/min

Control pressure – Operating pressure – Diagram



Note

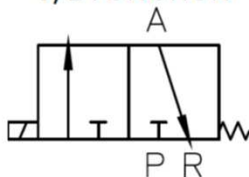
- ⇒ To protect the diaphragm do not choose the control pressure higher than necessary (see diagram above)!
- ⇒ Due to the direct actuated diaphragm, the operating pressure of the diaphragm valve is PN6 and not PN10 as stated at the diaphragm body!

Accessories:

3/2 SOLENOID VALVE



3/2 FUNCTION



General

- Solenoid valve with 3/2-way function and with standard coil
- Protection class IP65 with cable plug
- Emergency manual override
- Service port G ¼" and plug-in connector Ø6mm

Material

- Body: Polyamide (PA)
- Bolt: Brass nickel plated
- Seal: NBR

Power Supply:

- 24 V DC Item no. 50063
- 230 V AC Item no. 50050